

LCCU New Bern

August 3rd, 2022

ADDENDUM

3

Please include the following changes to the contract document as part of Addendum 2 and shall be acknowledged as received on the bid document.

- 1. See attached responses to RFIs.**
- 2. See attached Longboard Link and Lock Louver Attachment document.**
- 3. See attached Elevation.**

<https://www.dropbox.com/sh/wzwf06o4k776ik2/AAD4w4NLuIVOUSn8to0Hrx8ia?dl=0>

RE: LCCU - New Bern: RFI 8.3.2022

1. Please provide a specification for the teller/transaction window including basis of design, glass spec, and acceptable manufacturer.
 - a. Teller window will be provided by Owner.
2. Please confirm the requirement for a thermal storefront door.
 - a. Provide thermal storefront per specifications.
3. Please select a finish for the Longboard products as a basis for estimate
 - a. Wood grain finish
4. Please confirm that the Longboard Dauntless 6" interior metal baffle system for this project is the Align series.
 - a. Correct, align series
5. Are door 111B and its accompanying frame hollow metal or aluminum?
 - a. Aluminum storefront
6. How are the possible costs for blasting that may be needed for excavation? Is there a rock allowance or unit price? Are we responsible for the blast vibration monitoring of nearby structures recommended in the geotechnical report?
 - a. A rock allowance has been included in the base bid, and unit price is to be included.
7. Sheet 2/S602 shows a 4"x9 1/2" bent plate welded to the beam supporting the brick in lieu of angle lintel shown on 2/A03. Assuming Sheet 2/S602 is correct, how is the beam web area framed and insulated to provide a substrate for the flashings required in this area? Is the gap between the roof membrane and the bottom of the bent plate large enough to install all of the pieces shown on 8/A505?
 - a. 8" Min required from roof membrane to lintel. Infill stud around bent.
8. The storefront and CW specs are calling wind borne debris impact and blast resistance. Please confirm that neither impact or blast resistant materials, framings or glazing's will be required.
 - a. Not required.
9. There appear to be several performance specs for the storefront and CW systems that appear to be duplicated or not applicable to this project. IE – the sounds transmittance specs for the CW have more than one classification listed. – If the design team is really concerned with the STC of the storefronts and CWs we will need this requirement clearly defined.
 - a. Disregard
10. Are there any details for the attachment of the longboard Link & Lock sunshade system shown in the elevations on sheet A602. Section 7/A503 shows the louver in mid-air. If the louver slates are attached to the aluminum storefront material the storefront manufacturer may have issues with us attaching to their system when it comes to finish warranties, weather tightness and design loads. A separate framing system independent of the storefront system may be needed for the louvers
 - a. Preliminary detail provided by Kawneer + Longboard
11. The louvers or Longboard shades are spaced 8" o.c. vertically. There is a note referring to 12" o.c. spacing on elevation 2/A602. Where does the 12" o.c. refer to?
 - a. Disregard 12" o.c. note
12. Who is responsible for window elevation type C (teller window) if glaziers are responsible for this and not the owner, we will need a full spec section along with a basis of design



- acceptable manufacturer and glass spec for this elevation. Also would need to know who is responsible for the deal drawer and counter.
- a. Owner provided teller window, Owner provided drawer and counter.
13. Please clarify what type of aluminum door frame will be required for Door #111A, Aluminum partition door frame or an aluminum storefront door frame?
- a. Aluminum storefront frame, frame to match adjacent office frames.
14. The glazing specs 088000-7 call for glass type gl-1 to monolithic tempered – ultra clear and the drawings A601 call for glass type GL-1 to be 1” insulated tempered Low-e, so we will need the glass types and tags clarified – not only for this glass type but also for the GL-2, GL-3 and GL-4
- a. Disregard glazing types in specs
15. Currently glass type GL-3 & GL-4 in specs are calling for pyrolytic self-cleaning outboard lite, is this correct or will standard glass substrates be acceptable?
- a. Disregard glazing types in specs
16. LVT-1 which is an Armstrong product but the specification is conflicting. Natural Creations is one style but Parallel 12 in the additional comment column is also another style. The color goes with the Parallel 12 with that color has been discontinued. Please specify an available flooring material. It should be noted that Armstrong Flooring filed for bankruptcy earlier this year and is in the process of being bought and restructured.
- a. Armstrong Biome Boreal Oslo
17. Concerning the WC-1 wall, the Shaw rep said it is fire rated to go on a wall and shell can't give me a price on it. Please let me know if I will be covering this part or another contractor, but if I am I need to know what the architect wants to do about it.
- a. The wall covering shall be responsible for the wall covering.
18. Where is the high performance coating in Addendum 2 specification applied?
- a. Applied to drive thru canopy
19. The No box on the Code summary is not checked for sprinklers. Is there a fire sprinkler system required?
- a. No sprinkler.
20. How is the cloud soffit over the teller line supported? Whatever supports it will be visible.
- a. Suspended cable wire.
21. Specification Section 095113 – ACOUSTICAL PANEL CEILINGS differs from the Finish Plan on ID101 in both tile and grid. Which should be priced for Basis of Design?
- a. Use finish plan as basis for design.
22. A111 Ceiling Type Indication for the Metal Baffle calls out a different product than what is called out in detail 6/A502. Which should be priced for Basis of Design?
- a. Use A111 as basis for design.
23. What is the extent of work required from the general contractor for the following systems that may be by the owner:
- a. **Security Systems** – Equipment by owner, final power connections by EC (when required).
 - b. **Cameras** – Equipment by owner, raceway only by EC.
 - c. **Electric Door Hardware** – Equipment by owner, installed by GC, final power connections by EC.
 - d. **Voice/Data** – Raceways only, installed by EC.
 - e. **Banking Equipment** – Equipment installed and furnished by owner, coordinated with GC. Final electrical connections by EC.

NOT FOR CONSTRUCTION

© 2022 LaBella Associates



LCCU - PROTOTYPE

5280 NEW BERN AVENUE RALEIGH, NC 27601

NO.	DATE	DESCRIPTION
Revisions		

PROJECT NUMBER: 220723

DRAWN BY: BAW

REVIEWED BY: TAH

ISSUED FOR: BID

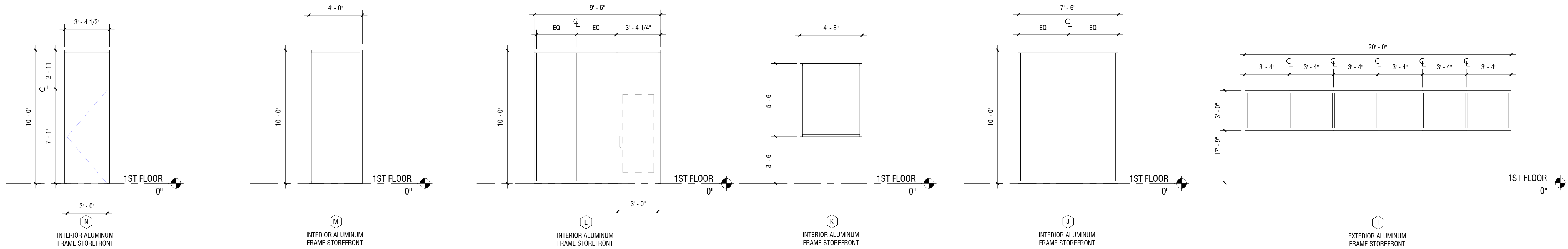
DATE: 07.08.2022

DRAWING NAME:

STOREFRONT TYPES

DRAWING NUMBER:

A602



5 ELEVATION TYPE N
A602 SCALE: 1/4" = 1'-0"

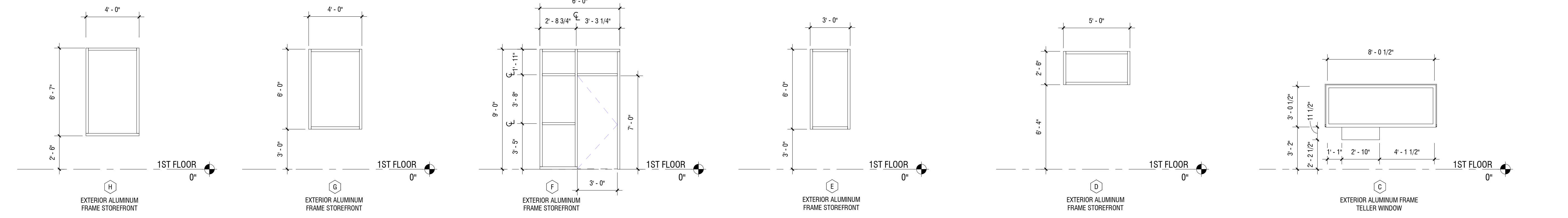
18 ELEVATION TYPE M
A602 SCALE: 1/4" = 1'-0"

17 ELEVATION TYPE L
A602 SCALE: 1/4" = 1'-0"

15 ELEVATION TYPE K
A602 SCALE: 1/4" = 1'-0"

14 ELEVATION TYPE J
A602 SCALE: 1/4" = 1'-0"

13 ELEVATION TYPE I
A602 SCALE: 1/4" = 1'-0"



12 ELEVATION TYPE H
A602 SCALE: 1/4" = 1'-0"

11 ELEVATION TYPE G
A602 SCALE: 1/4" = 1'-0"

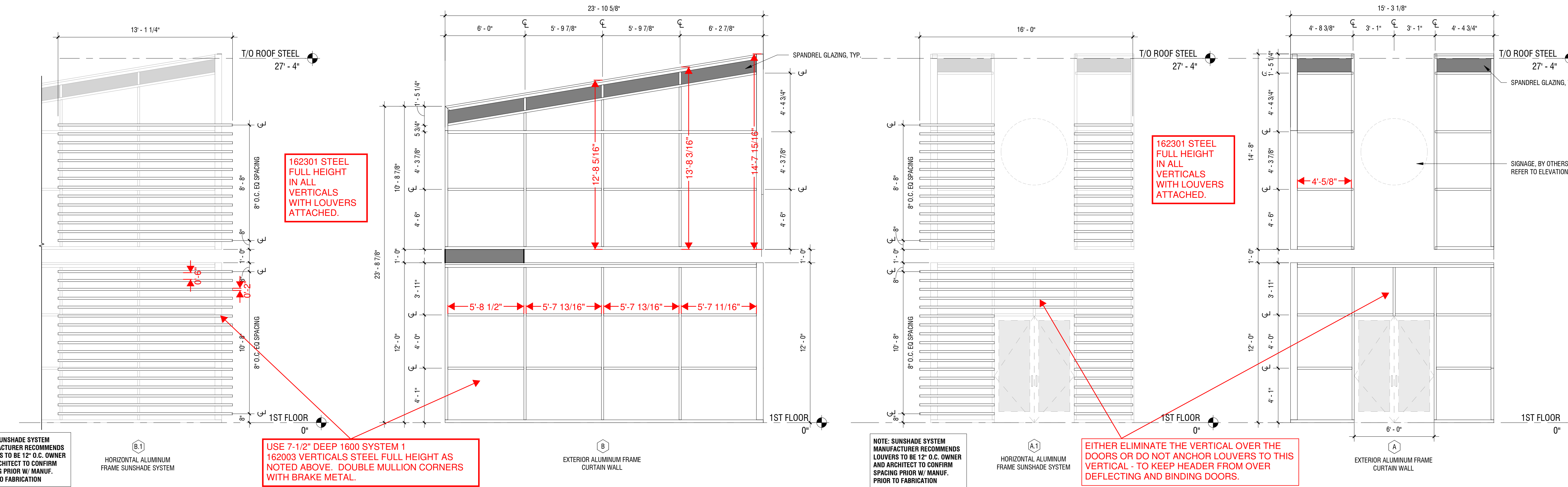
9 ELEVATION TYPE F
A602 SCALE: 1/4" = 1'-0"

8 ELEVATION TYPE E
A602 SCALE: 1/4" = 1'-0"

7 ELEVATION TYPE D
A602 SCALE: 1/4" = 1'-0"

6 ELEVATION TYPE C
A602 SCALE: 1/4" = 1'-0"

REVIEW BY: TIM WASHBURN 7/22/22
REVIEWED ELEVATIONS A, A.1, B, AND B.1
WL ZONE 4 = +19 PSF / -20 PSF
WL ZONE 5 = +19 PSF / -25 PSF



4 ELEVATION TYPE B.1 - LOUVER WALL
A602 SCALE: 1/4" = 1'-0"

3 ELEVATION TYPE B
A602 SCALE: 1/4" = 1'-0"

2 ELEVATION TYPE A.1 - LOUVER WALL
A602 SCALE: 1/4" = 1'-0"

1 ELEVATION TYPE A
A602 SCALE: 1/4" = 1'-0"

NOTE: SUNSHADE SYSTEM MANUFACTURER RECOMMENDS LOUVERS TO BE 12" O.C. OWNER AND ARCHITECT TO CONFIRM SPACING PRIOR W/ MANUF. PRIOR TO FABRICATION

USE 7-1/2" DEEP 1600 SYSTEM 1 162003 VERTICALS STEEL FULL HEIGHT AS NOTED ABOVE. DOUBLE MULLION CORNERS WITH BRAKE METAL.

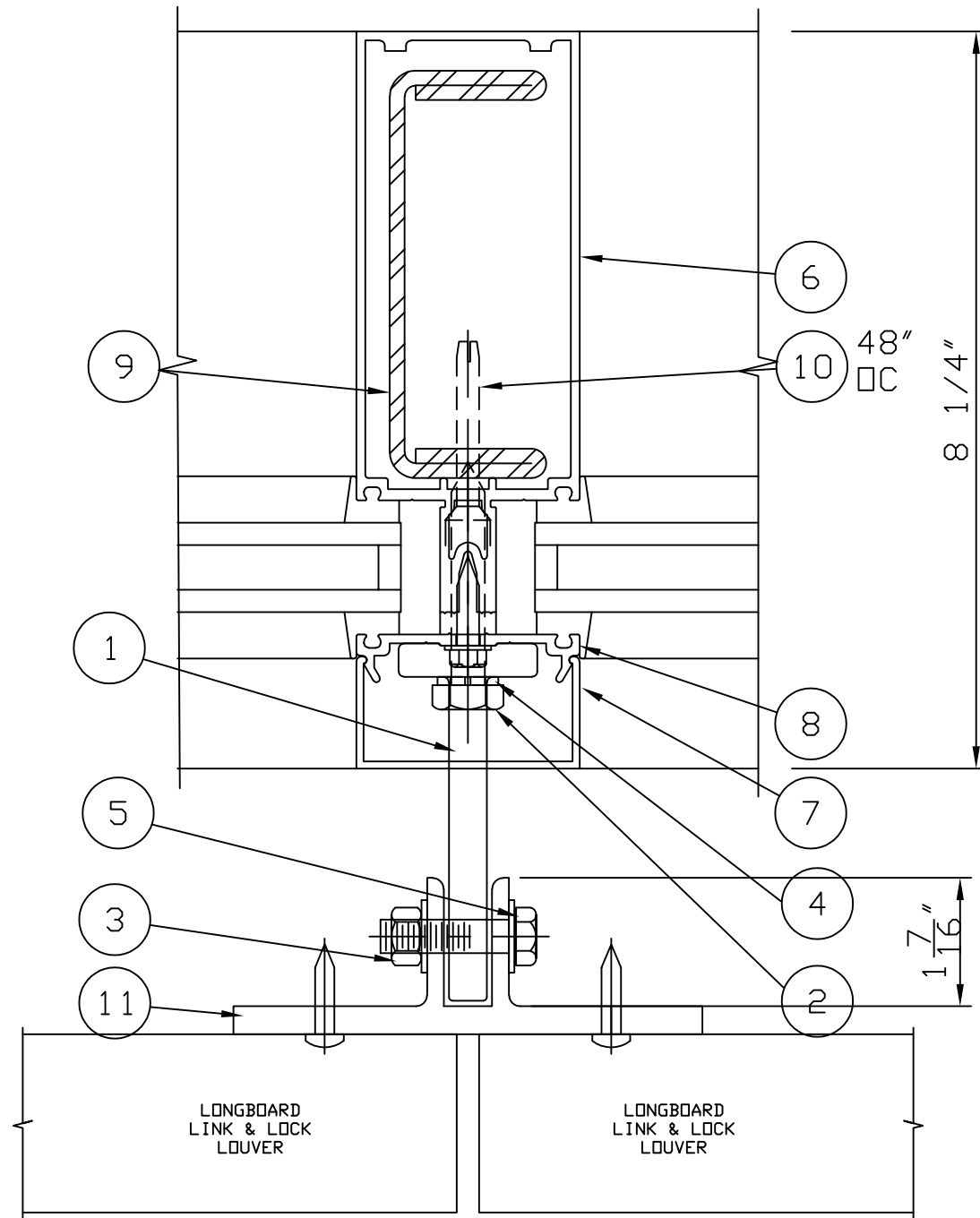
162301 STEEL FULL HEIGHT IN ALL VERTICALS WITH LOUVERS ATTACHED.

EITHER ELIMINATE THE VERTICAL OVER THE DOORS OR DO NOT ANCHOR LOUVERS TO THIS VERTICAL - TO KEEP HEADER FROM OVER DEFLECTING AND BINDING DOORS.


7/7/2022 3:46:15 PM

THESE DRAWINGS ARE THE SOLE AND EXCLUSIVE PROPERTY OF KAWNEER AND CONTAIN SENSITIVE, PRIVILEGED OR CONFIDENTIAL INFORMATION WHICH MAY BE USED ONLY FOR ITS BENEFIT. THE DISCLOSURE OF THESE DRAWINGS TO UNAUTHORIZED PERSONS IS STRICTLY PROHIBITED. THIS DOCUMENT AND ALL COPIES MUST BE RETURNED UPON DEMAND.

© COPYRIGHT KAWNEER COMPANY, INC., 1996



1	834054	ANCHOR BRACKET
2	128531	FASTENER
3	027780	NUT
4	028779	WASHER
5	028778	BOLT
6	162003	MULLION
7	162183	COVER
8	162335	PRESSURE PLATE
9	162301	STEEL REINFORCING
10	904208	1/4-20 x 2" D FHTCMS
11	838447	ANCHOR BRACKET

FILED	DATE 07/22/22	PRELIMINARY THESE DETAILS SHOW SUGGESTED USES OF KAWNEER MATERIALS, AND ARE NOT TO BE USED AS SHOP DRAWINGS AND ARE SUBJECT TO CHANGE WITHOUT NOTICE.	PROJECT NAME LCC NEW BERN AVE. LONGBOARD LINK & LOCK LOUVER CLIPS	
	SCALE : HALF			
	REVISIONS	 AN ARCONIC COMPANY KAWNEER COMPANY, INC. 600 KAWNEER DRIVE P. O. BOX 709 SPRINGDALE, AR. 72764 (479) 756-2740	DRAWN BY TRW	JOB NO. -
	NO.		DRAWING NO. -	
DATE				